



Solid State Relay (1 Phase with SCR unit)

1 ϕ (10~60A)固態繼電器



Features

1. Load current ranges from 10 to 60 Amps.
2. Internally mounted snubber circuit protection from huge current (dv/dt) application.
3. Zero Crossing turn-on, Zero current turn-off.
4. With LED display to detect the operation condition of devices.
5. Photo-isolation, 4000V Rms isolation.
6. R SERIES have output power 0~90%
7. Ambient Temperature: -10 °C~55 °C, below 90% humidity
8. Weight: 70g

特性

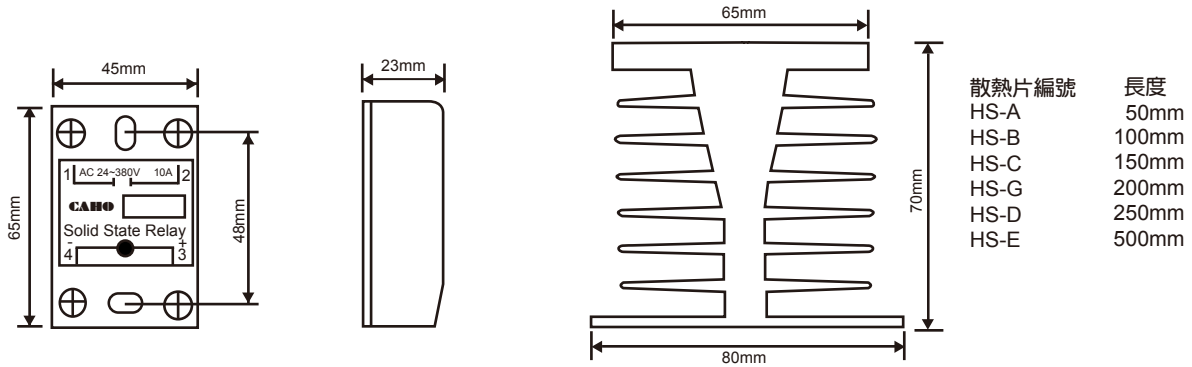
1. 負載額定電流 10A~60A
2. 內部提供RC電路防止突波產生
3. 零電位導通
4. 使用LED顯示觸發狀態
5. 採光耦合隔離 4000V Rms
6. R系列輸出範圍可調0~90%
7. 環境溫度: 濕度低於90%, 常溫介於零下10至55度
8. 重量: 70 公克

SPECIFICATIONS 規格說明

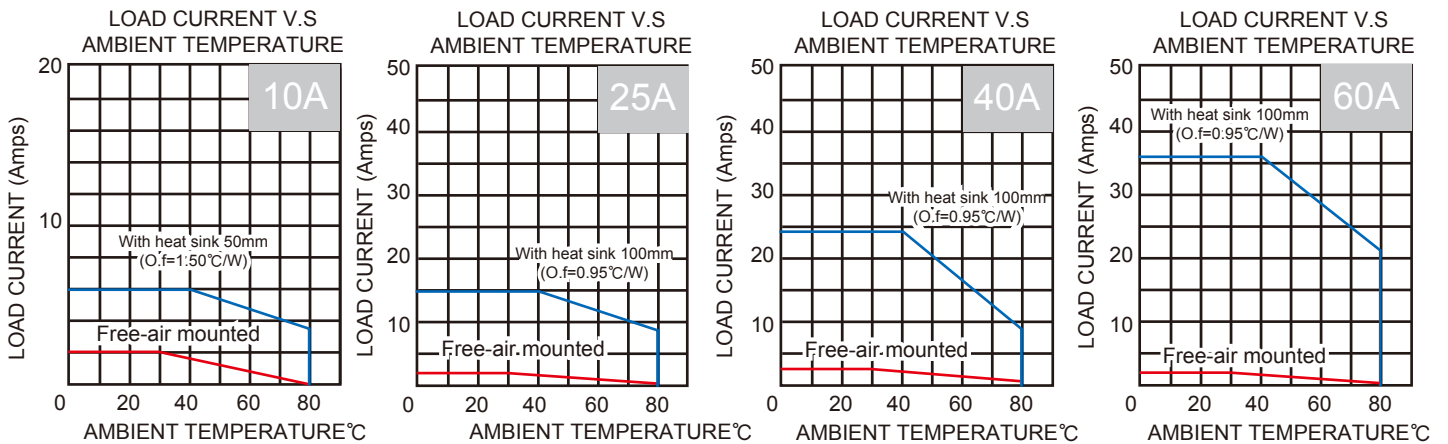
(Ta=25°C)

Data 項目	Model No. 型號	SR-D38□□ SR-D48□□	SR-A38□□ SR-A48□□	SR-U24□□	SR-R25□□ SR-R38□□ SR-R48□□
Type 型式		(DC-AC)	(AC-AC)	(DC-AC) (AC-AC)	(VR-AC)
Input Signal Voltage 輸入電壓		DC 3~32V	AC 90~250V	DC/AC 5~32V	VR B250KΩ VR B500KΩ VR B500KΩ
Output Load Voltage Range 輸出負載電壓範圍		AC 24~380V AC 380~440V	AC 24~380V AC 380~440V	AC 24~380V AC 380~440V	AC 90~220V AC 220~380V AC 380~440V
Load Current 負載電流		10A 25A 40A 60A	10A 25A 40A	10A 25A 40A	10A 25A 40A
Max. 1 Cycle Surge Current 1週期內最大湧浪電流		125A 260A 315A 350A	125A 260A 315A	125A 260A 315A	125A 260A 315A
Max. On State Voltage Drop 開啟後最大壓降		AC 1.6V			
Response Time 響應時間		1/2 cycle + 1 msec.	3/2 cycle + 1 msec.	3/2 cycle + 1 msec.	
Dielectric Strength 絕緣性		10 ⁸ ohms	10 ⁸ ohms	10 ⁸ ohms	
Isolation between Input/Output 輸入/輸出隔離電壓		2500V (RMS)	2500V (RMS)	2500V (RMS)	
Isolation Input/Output to Case 輸入/輸出對外殼之隔離電壓		2500V (RMS)	2500V (RMS)	2500V (RMS)	
Capacitance 雜扇電容		15 pf (Max.)	15 pf (Max.)	15 pf (Max.)	
Operating Temperature 使用溫度		-20°C~80°C	-20°C~80°C	-20°C~80°C	
Storage Temperature 保存溫度		-40°C~80°C	-40°C~80°C	-40°C~80°C	
Weight(approx.) 重量(估計)		70g			

■ DIMENSION 尺寸圖



■ CHARACTERISTIC CURVES



※須考慮電源變動、散熱片及其他外在因素，實際使用電流不得超過SSR額定之60%。

※Must consider the system of power on, heat sink and other factors, the usage current shouldn't be above 60% of its rated current.

※負載測試：負載未接或電流太小(1A以下)無法正常導通，測試時請接1A以上之負載。

※Testing: Load current over 1A

■ ORDERING CODE 訂貨編號

Model No. 型號

SR-

Series 系列	DC-AC	D			
	AC-AC	A			
	DC/AC-AC	U			
	VR-AC	R			
Line Voltage 負載電壓	250V AC	25			
	380V AC	38			
	440V AC	48			
Load Current 負載電流	10A	10			
	25A	25			
	40A	40			
	60A	60			
Heat Sink 散熱片	None fitted	N			
	Fitted with Heat Sink 80x70x50mm	A			
	Fitted with Heat Sink 80x70x100mm	B			
	Fitted with Heat Sink 80x70x150mm	C			
	Fitted with Heat Sink 80x70x250mm	D			
	Fitted with Heat Sink 80x70x500mm	E			
Fitted with Heat Sink 80x70x200mm	G				
DIN rail adapter option 鋁軌固定座選配	Just for HS-A,B or C,D,E,G Heat Sink 只適合HS-A,B,C,D,E,G六種散熱片	S			

※備註：

1. 負載電壓440V無10安培之規格。
2. 訂貨時請查閱“規格說明”欄。
3. 60安培因散熱考量，訂貨時請加購HS-C散熱片。

※Note:

1. No 10A model type for 440V power supply.
2. Please refer to the specification and indicate your requirements.
3. Due to the cooling concern, while ordering 60A SSR, please also include the heatsink HS-C.