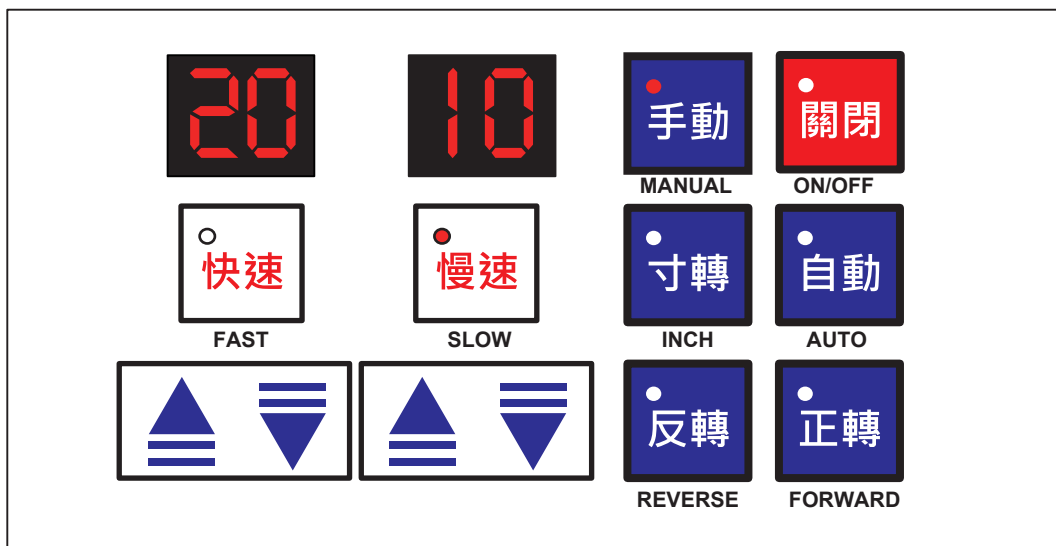


Dough Mixer Controller

攪拌器(和麵機)

Application : Food Baking System, Bread Machines, and other mixer machines
 用途：食品烘焙系統、麵包機械、攪拌機械



Features

1. Wide power terminal arrangement in solution to any related electrical breakdown issues.
2. Replaced conventional device to directly change and attain variable speed with only one control.
3. Designed with inching system for more flexible operation.
4. Gradually increases speed when set to fast mode to help extend motor life.
5. Selectable multiple output controls such as: FORWARD AND REVERSE rotation control, FAST AND SLOW speed control.
6. Countdown timer control range: 0 – 40 mins.
7. With safety guard cover indicator which immediately stops the machine when the cover is open.

特性

1. 寬電源設計，解決傳統變壓器故障問題
2. 取代傳統換檔桿變速方式，一個按鈕立即改變
3. 寸轉設計，增加攪拌的靈活度
4. 快轉啟動時，先慢在快，延長馬達壽命
5. 正轉. 反轉. 快速. 慢速多路輸出控制
6. 時間設置範圍0-40分鐘(倒數計時)
7. 網罩開啟指示與立即停止運轉，安全升級更有保障

SPECIFICATION

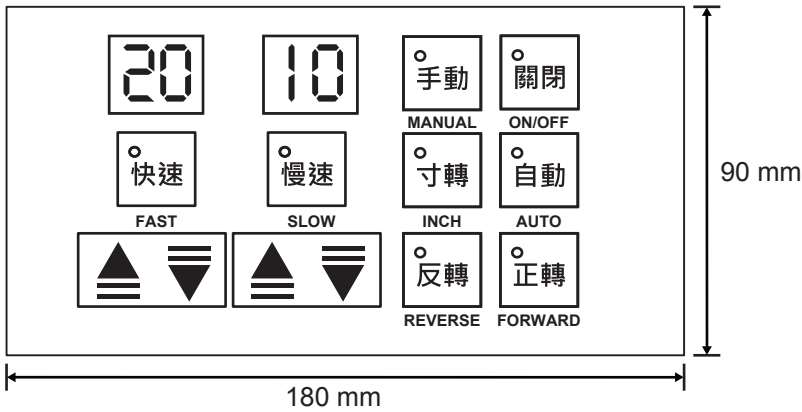
Power Supply : AC 85V~260V, 50/60HZ
 Timer accuracy : 0.01%
 Start mode : inching、manual、automatic
 Timer control range : 0-40min
 Fast speed contact output : RELAY (250V/10A)
 Slow speed contact output : RELAY (250V/10A)
 Forward rotation contact output : RELAY (250V/10A)
 Reverse rotation contact output : RELAY (250V/10A)
 Cover input : Dry contact (volt free)
 Ambient Temperature : -10 °C~55°C,below 90% humidity

規格說明

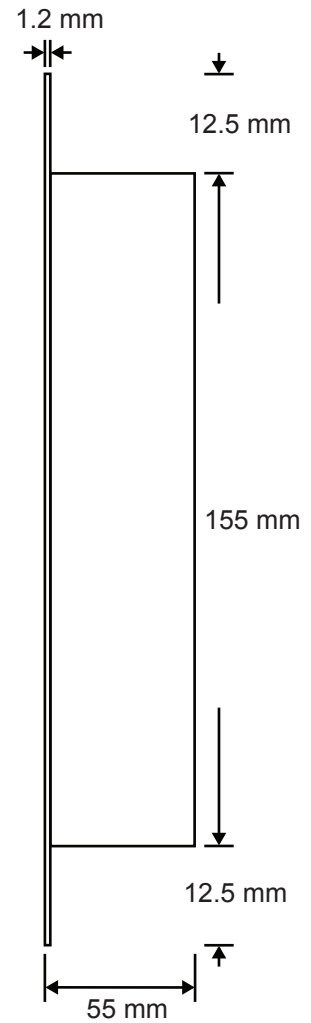
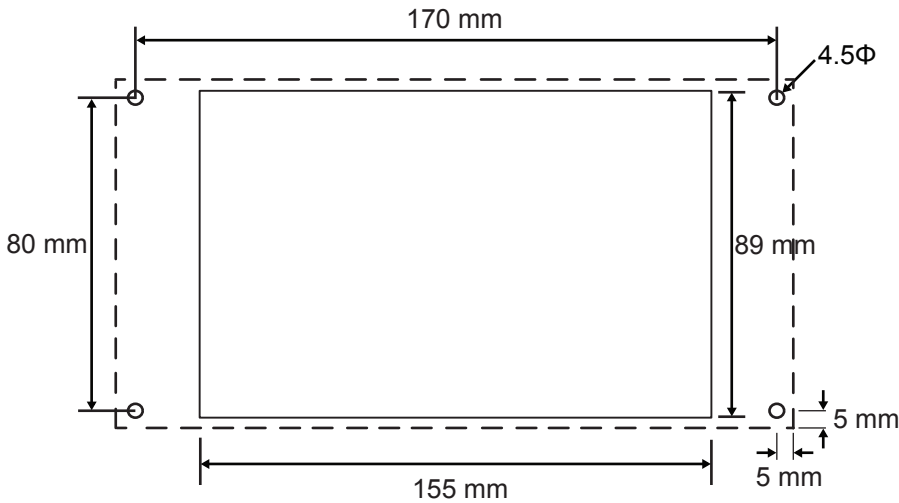
電源：AC 85V~260V, 50/60HZ
 時間精度：0.01%
 啟動模式：寸轉、手動、自動
 時間設定範圍：0-40分鐘
 快速接點輸出：RELAY (250V/10A)
 慢速接點輸出：RELAY (250V/10A)
 正轉接點輸出：RELAY (250V/10A)
 反轉接點輸出：RELAY (250V/10A)
 網罩接點輸入：乾接點（不帶電）
 環境溫濕度：濕度低於90%，常溫介於零下10度至55度

■ DIMENSION 尺寸圖

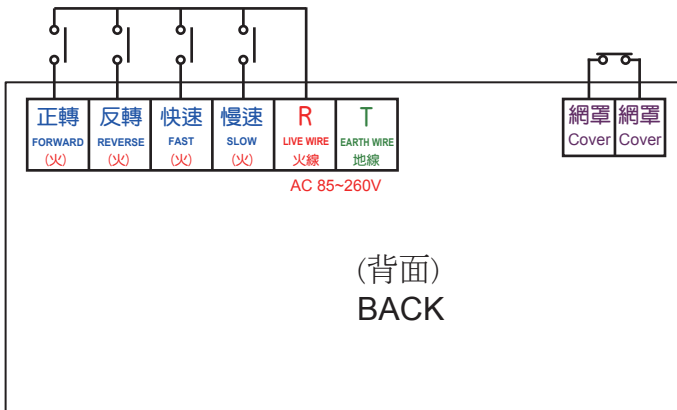
外型尺寸
Contour size



開孔尺寸
Panel cutout



■ WIRING DIAGRAM 接線圖



■ ORDERING CODE 訂貨編碼

型號 Model No.

DMC	1	8	0
------------	----------	----------	----------