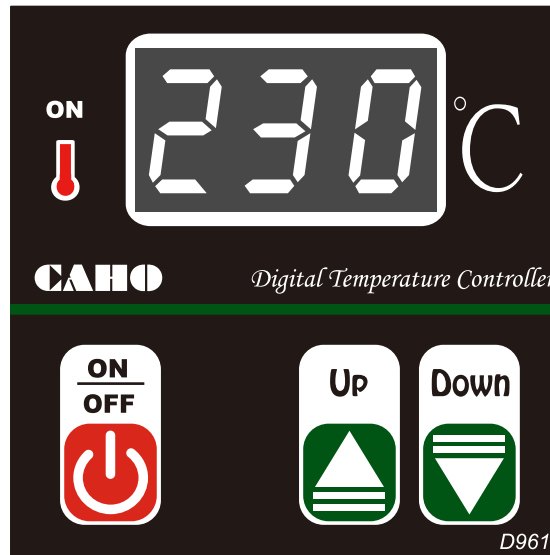




# Digital Temperature Controller

## 數位溫度控制器

Application : Controlling temperature  
用途：控制-溫度



### Features

- 1.Extensive digital screen display with elegant design.
- 2.Wide power terminal arrangement in solution to any related electrical breakdown issues.
- 3.Accessible ON/OFF function to facilitate operation.
- 4.Improved navigation keys for quick temperature setting.
- 5.Provides signal indicators for easy abnormalities detection.
- 6.With proportional control to stabilize heat as the temperature reaches to setpoint.
- 7.Automatic temperature compensation control which help keeps the temperature more accurate.
- 8.Can suit 2 alarms to make applications more flexible.
- 9.Selectable heating or cooling system to choose from.
- 10.Light weighted controller with weighs 250g only.

### 特性

1. 超大屏幕設計，美觀大方
2. 寬電源設計，解決傳統變壓器故障問題
3. ON/OFF開關功能，方便操作
4. 上下鍵修改溫度，加快設定速度
5. 訊號異常指示，加速故障排除
6. P控制方式，減緩衝溫問題
7. 自動控溫補償，讓溫度更精準
8. 可擴充雙組警報，讓應用更靈活
9. 可選擇加熱或冷卻系統
10. 輕巧外型，重量僅250克

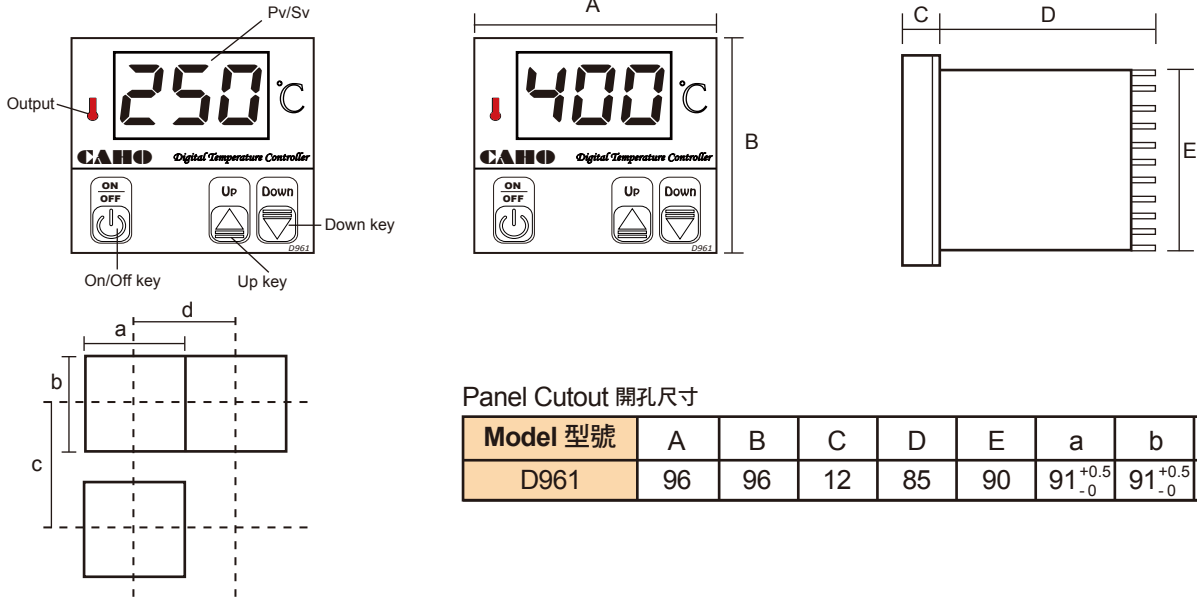
### SPECIFICATION

**Power Supply** : AC 85V~260V, 50/60HZ  
**Input** : K type,J type  
**Output** : RELAY(250V/3A), DC24V, DC linear...  
**Control** : P, ON/OFF  
**P Band** : 0%~100% full Scale  
**Cycle Time** : 0~100 Sec.  
**Accuracy** : ±0.3% full Scale  
**Ambient Temperature** : -10 °C~55 °C, below 90% humidity  
**Power Consumption** : Less than 5VA  
**Input Impedance** : 20M ohm 500V DC  
**Alarm mode** : 4 alarm modes

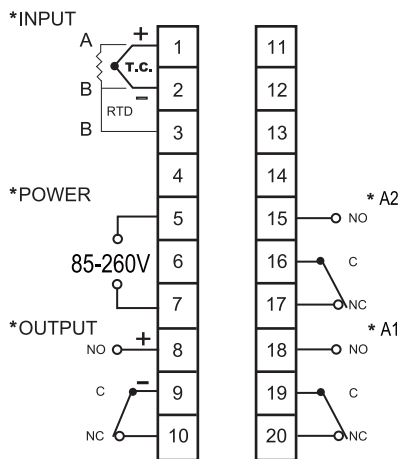
### 規格說明

**電源** : AC 85V~260V, 50/60HZ  
**輸入** : K type,J type  
**輸出** : RELAY(250V/3A), DC24V, DC linear...  
**控制方式** : P, ON/OFF  
**比例帶** : 0%~100% 全刻度  
**比例週期** : 0~100 秒  
**精準度** : ±0.3% 全刻度  
**環境溫濕度** : 濕度低於90%，常溫介於零下10度至55度  
**消耗電力** : 小於 5VA  
**輸入阻抗** : 20M ohm 500V DC  
**警報模式** : 4 種模式

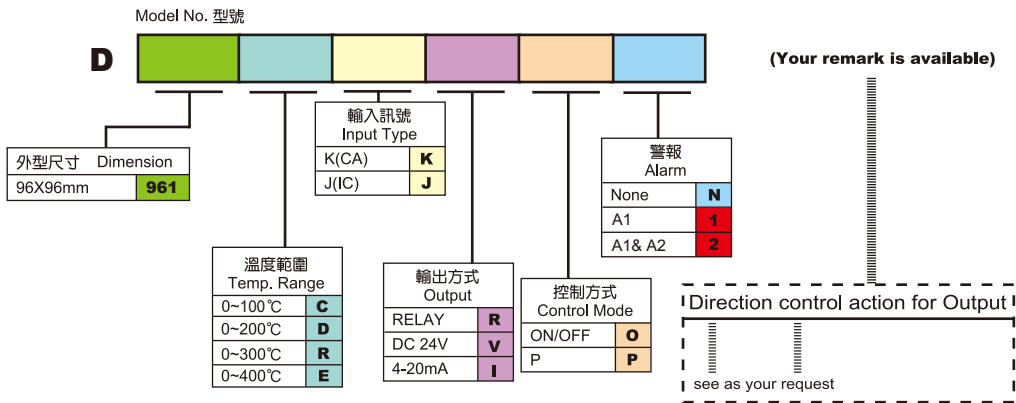
**DIMENSION 尺寸圖**



**WIRING DIAGRAM 接線圖**



**ORDERING CODE 訂貨編號**



附注：1.Relay 輸出能選用ON/OFF，P控制  
2.S.S.R. 輸出能選用ON/OFF，P控制  
3.4-20mA 輸出只能用P控制  
4.警報模式有絕對上限、絕對下限、偏差上限、偏差下限

Note：1.Relay-output can be suitable with control mode ON/OFF or P.  
2.S.S.R.-output can be suitable with control mode ON/OFF or P.  
3.4-20mA-output only can be suitable with P control.  
4.All the Alarm function are process (Hi/Low) alarm and deviation (Hi/Low) alarm.